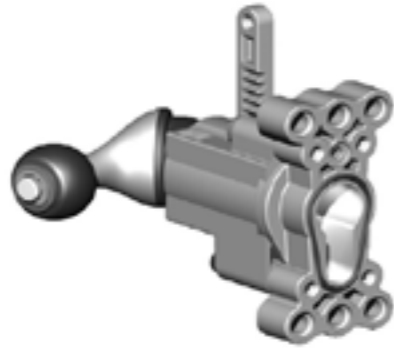


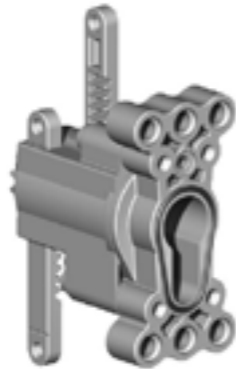


New platform for compression latch technology ►

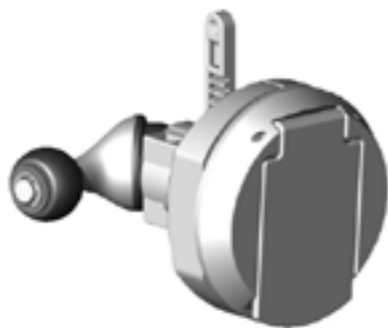


[6-500](#)

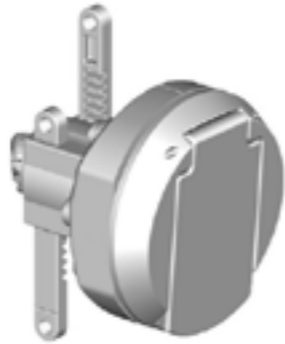
- Smooth and simple operation
- Concealed latch design
- Single point compression
- Unique POM roller on the cam for smooth actuation and closure; prevents scratching or abrasion to the frame or paint finish
- IP65 rated
- Can be actuated with a profile cylinder key - an industry first
- Up to 20mm of compression to hold door securely closed in high vibration applications

[6-501](#)

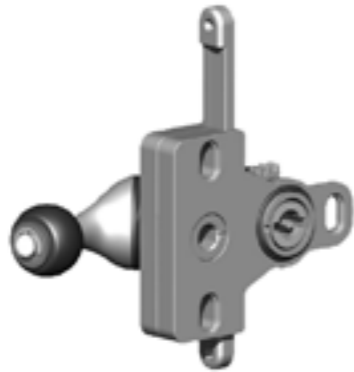
- Smooth and simple operation
- Concealed latch design
- Multi-point latching
- IP65 rated
- Can be actuated with a profile cylinder key - an industry first

[6-502](#)

- Smooth and simple operation
- Low profile design
- Single point compression
- Unique POM Roller on the cam for smooth actuation and closure; prevents scratching or abrasion to the frame or paint finish
- IP65 rated
- Up to 20mm of compression to hold door securely closed in high vibration applications
- Can be actuated with a profile cylinder key - an industry first
- Features a custom designed, magnetic locking cover to prevent water, dust or debris from entering the enclosure

[6-503](#)

- Smooth and simple operation
- Flush mount design
- Multi-point latching
- IP65 rated
- Can be actuated with a profile cylinder key - an industry first
- Features a custom designed, magnetic locking cover to prevent water, dust or debris from entering the enclosure

[6-504](#)

- Smooth and simple operation
- Single or multi-point compression latching (see [6-510](#))
- Unique POM roller on the cam for smooth actuation and closure; prevents scratching or abrasion to the frame or paint finish
- IP65 rated
- Up to 20mm of compression to hold door securely closed in high vibration applications
- Multiple inserts are available for secure tool actuation

[6-510](#)

- Extra locking points for compression latch 6-504
- All locking points actuated with single operation of 6-504 latch

## Markets & Applications

Potential market applications are broad. This product is an ideal solution for large enclosures requiring multiple compression points along with any indoor or outdoor sheetmetal enclosure door or panel application that requires high compression, concealed latching, low protrusion, reduction of noise and/or rattling due to vibration and protection against potential vandalism. It can be used in single or multi-point applications.

Market applications include, but are not limited to, the following:

- Enclosures in Public Areas
- Telecommunications Enclosures
- Computer Enclosures
- Industrial Machinery
- Off-Highway Vehicles and Farm Equipment
- Alternative Energy / Power Enclosures
- Medical Equipment
- Food or Food Packing Equipment (non-food zone applications)
- Transportation & Emergency Vehicles

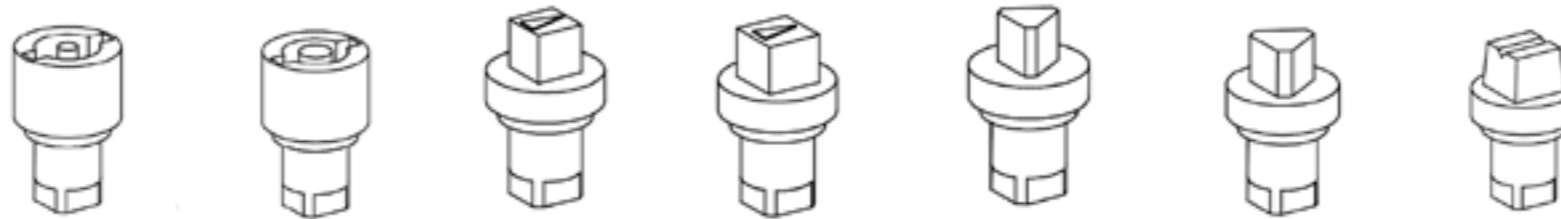
## Frequently Asked Questions

**How are the products within this technology platform different than the compression latches currently offered by DIRAK and its competitors?**

- The amount of compression is significantly greater, these products offer up to 20mm of compression
- Direct Key Actuation for 6-500, 6-501, 6-502, and 6-503 - an industry first for multi point systems
- Simple linking of compression latches with 6-510

**My application requires tool actuation. What tool inserts are available?**

All are available upon request with 6-504, including those shown below.



double bit 3mm pin   double bit 5mm pin   square 7mm   square 8mm   triangular 7mm   triangular 8mm   conical square

**My application requires key locking but I have limited exterior space for a protruding handle or knob. Does this platform offer a solution?**

Yes, as an industry first, 6-500, 6-501, 6-502 and 6-503 allow the latch to be actuated directly by a key, eliminating the need for a protruding knob or handle. Until now, only tool actuated inserts allowed direct actuation of compression latches or multipoint systems.

**What is the benefit of a POM roller?**

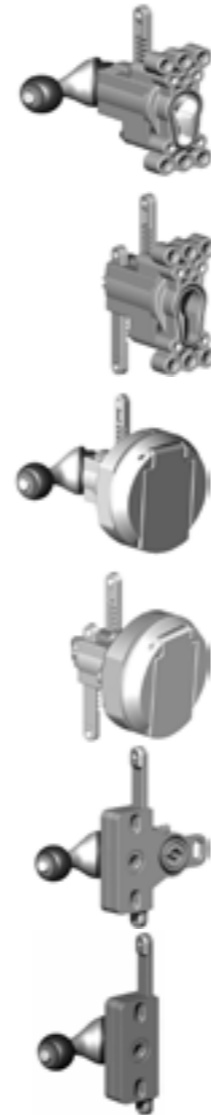
The POM roller prevents scratching and abrasion to the frame or paint finish and ensures a smooth operation.

**Can this latch be painted to match my specific application?**

The lock cover for 6-502 and 6-503 can be color matched to meet your application requirements.

For additional product information:

Select any of the following links for additional product information on our website. If you would like to request a sample or receive information about pricing, please [contact us](#).



System	Designation	CAD PDF
6-500	Compression Latch PHZ	▶
6-501	2-Point Latch PHZ	▶
6-502	Compression Latch PHZ with Lock Cover	▶
6-503	2-Point Latch PHZ with Lock Cover	▶
6-504	Compression Latch	▶
6-510	Latching Device for Compression Latch 6-504	▶